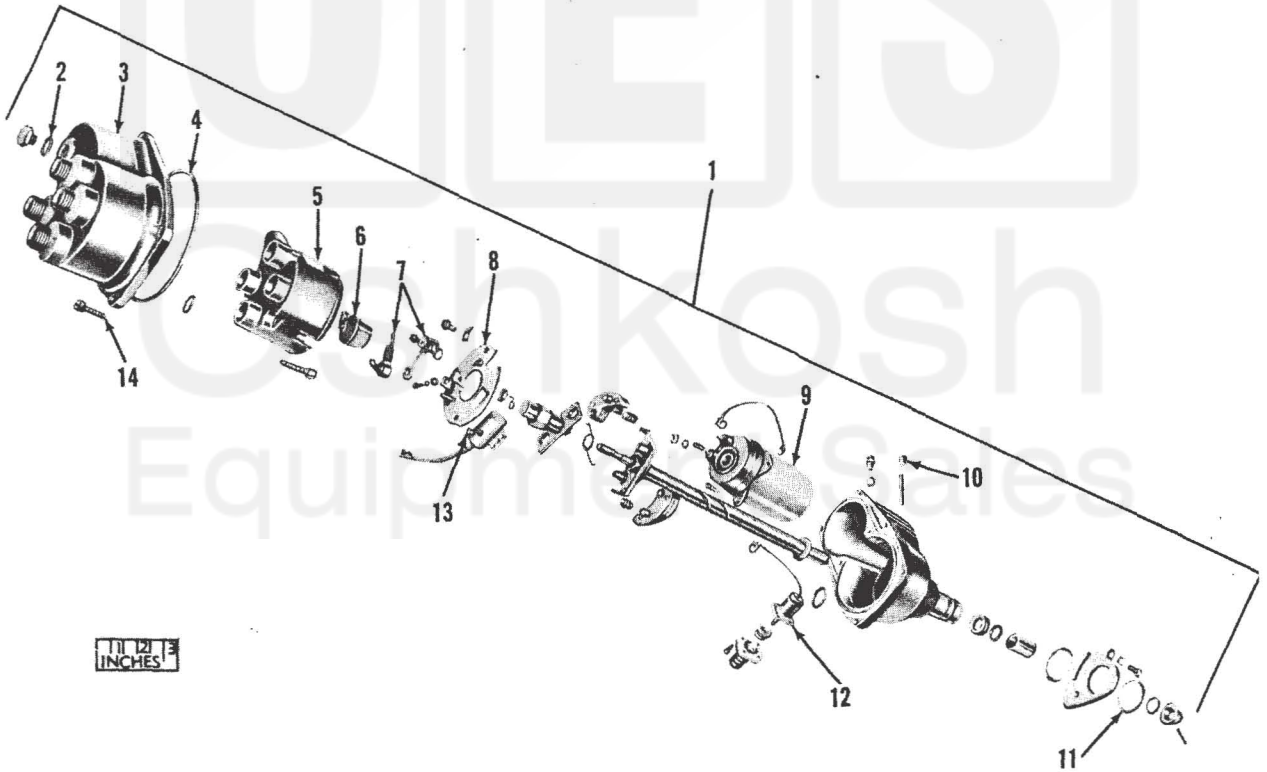


(1) ILLUST		(2) SOURCE, MAINT AND RECOVERABILITY CODE				(3) FEDERAL STOCK NO	(4) DESCRIPTION	(5) UNIT OF ISSUE	(6) QTY INC IN UNIT	(7) 15-DAY MAINT ALW PER 100 EQUIP		
(a) FIG NO	(b) ITEM NO	(a) MATERIAL CODE	(b) SOURCE	(c) MAINTENANCE LEVEL	(d) RECOVERABILITY				(a) CO OR	(b) BTRY		
							06 - ELECTRICAL SYSTEM - Continued					
							<u>0605 - DISTRIBUTOR ASSEMBLY (Fig. 31)</u>					
31	1		P	O	R	2920-294-3742	DISTRIBUTOR: w/coil, assy (Auto-lite) (7358569)-----	ea	1			
31	2		P	O		5330-050-1223	PACKING, PREFORMED: O-ring, class B, material high flexibility, 3/32 thk, 9/16 w, cover plug (501223)	ea	1			
31	3		P	O		2920-353-7216	COVER: cap, assy (Auto-lite) (7378569)-----	ea	1			
31	4		P	O		5330-054-6880	PACKING, PREFORMED: O-ring, class B, material high flexibility, 1/8 thk, 4-1/4 id (cap cover) (546880)	ea	1			
31	5		P	O		2920-353-7206	CAP, IGNITION DISTRIBUTOR: assy (Auto-lite) ----- (7375377)	ea	1			
31	6		P	O		2920-640-7230	ROTOR, IGNITION DISTRIBUTOR: assy (Auto-lite) ----- (7348578)	ea	1			
31	7		P	O		2920-606-9377	PARTS KIT, DISTRIBUTOR; IGNITION; (5702525) Composed of: 1 CAPACITOR (19728-IAT30760S) 1 CLIP (19723-IG676) 1 CONTACT SET (19728-IGP3028FS)	ea	≠			
31	8		P	O		2920-143-5304	CLIP: breaker lever spring (Auto-lite) (☆☆ parts kits, 2920-606-9377 and 2920-606-9378) (19728-IG676)	ea	1			
31	9		P	O	R	2920-324-0371	COIL, IGNITION: Auto-lite (8328027)-----	ea	1			
31	10		P	O		4730-011-8831	PLUG, PIPE: sstd, hdls, br, 1/8 in. (base wick retainer) (118831)	ea	1			
31	11		P	O		2920-737-5110	GASKET: mounting arm (Auto-lite) (7375110)-----	ea	1			
31	12		P	O		5910-328-8838	CAPACITOR: primary filter (8329784)-----	ea	1			
31	13		P	O		5305-042-0447	SCREW, ASSEMBLED WASHER: rd-hd, int-teeth lock-washer, S, cd- or zn-pltd, no. 6 0, 138-32NC-2A x 3/16 (contact points capacitor) (420447)	ea	1			
31	14		P	O		5305-297-3273	SCREW, ASSEMBLED WASHER: S, cd- or zn-pltd, no. 10 0, 190-32NF x 11/16 (cover) (594224)	ea	6			
19	8		P	O		2920-698-3722	LINE: distributor to vacuum line tee, assy (8673357) Fabricated from:	ea	1			
			P	O		4730-014-2431	INVERTED NUT, TUBE COUPLING: inverted flare, br, 3/8-23UNF-2A, 3/16 od tu, 0, 560 overall lg (142431)	ea	2			
			P	O		4710-350-9886	TUBE, COPPER: seamless, cold-drawn, soft anld, 3/16 od, 0, 035 wall thk (26 in.) (ft) (80244-44-T-5080-10)	ft	≠			
19	13		P	O		2920-698-3721	LINE: distributor to air cleaner tube, assy (8673356) Fabricated from:	ea	1			
			P	O		4730-014-2431	INVERTED NUT, TUBE COUPLING: inverted flare, br, 3/8-23UNF-2A, 3/16 od tu, 0, 560 overall lg (142431)	ea	2			
			P	O		4710-350-9886	TUBE, COPPER: seamless, cold-drawn, soft anld, 3/16 od, 0, 035 wall thk (13 in.) (ft) (80244-44-T-5080-10)	ft	≠			
							<u>NON-ILLUSTRATED ITEMS</u>					
			P	O		5940-020-0027	TERMINAL, LUG: wire solder, eyelet, dble-grip, br, no. 18 - 16 wire, hole for no. 6 screw type A (breaker lever to coil primary lead) (200027)	ea	1			
			P	O		5305-297-3273	SCREW ASSEMBLED WASHER: cover, w/lockwasher (Auto-lite) (19728-8X3029)	ea	6			
			P	O		2920-358-6840	CLAMP: primary lead retaining (Auto-lite) (19728-IAU6) -----	ea	2			

(1) ILLUST		(2) SOURCE, MAINT AND RECOVERABILITY CODE				(3) FEDERAL STOCK NO	(4) DESCRIPTION	(5) UNIT OF ISSUE	(6) QTY INC IN UNIT	(7) 15-DAY MAINT ALW PER 100 EQUIP	
(a) FIG NO	(b) ITEM NO	(a) MATERIEL CODE	(b) SOURCE	(c) MAINTENANCE LEVEL	(d) RECOVERABILITY					(a) CO OR BTRY	(b) SEP BN SEP OR RECT
06 - ELECTRICAL SYSTEM - Continued											
0605 - DISTRIBUTOR ASSEMBLY (Fig. 31) - Continued											
			P	O		5306-019-1509	BOLT, ASSEMBLED WASHER: hex-hd, split lockwasher S, plain fin. 1/4-20UNC-2A x 5/8 (191509)	ea	1		
			P	O		5310-194-1540	WASHER, FLAT: lt, S, cd- or zn-chromate-fin. 9/32 id, 5/8 od, 0.065 thk, for 1/4 screw size (96906-15795-210)	ea	1		
			P	O		5940-020-0031	TERMINAL, LUG: wire, solder, eyelet, dble-grip, br, cd-pltd, no. 10 screw type A (breaker lever to coil primary lead) (200031)	ea	1		
			P	O		6145-772-2204	WIRE, ELECTRICAL: low tension, hv-duty, syn-ru jacket, braided, ins plastic, natural or syn-ru sgle cond, tnd cop, stranded, awg no. 16 (breaker in,) (ft) (80244-15-C-2165-150)	ft	≠		



ORD E64875

Figure 31. Distributor assembly